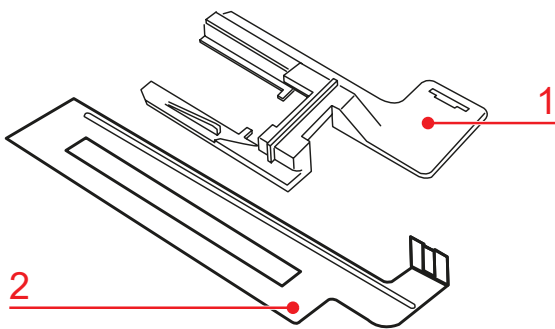


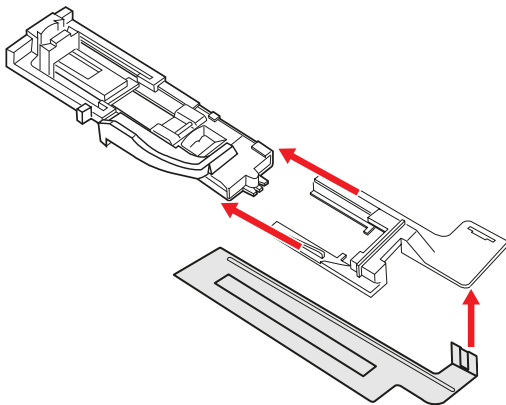
Fabric-Feeding Aid for Sewing Buttonholes



1



2



Information

Scope of delivery

- 1× Adapter plate (1) (Fig. 1)
- 1× Feeding rail (2) (Fig. 1)

Purpose

- To improve the feed when sewing buttonholes with the buttonhole foot with slide on thick and fluffy materials as well as on edges.

For your safety

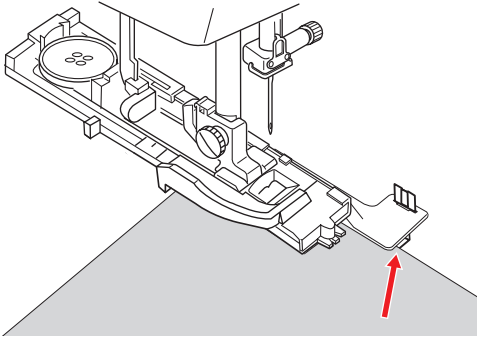
Before using this accessory, please read this instruction manual as well as the instruction manual of your machine carefully.

Application

How to use Fabric-Feeding Aid

- > Raise the presser foot.
- > Set needle to topmost position.
- > Attach the adapter plate to the buttonhole foot with slide from the front. (Fig. 2)
- > Push the feeding rail into the opening of the adapter plate from below. (Fig. 2)
- > To measure the length, clamp the button in the buttonhole foot with slide.
- > Fit the buttonhole foot with slide.

3



- > Position the fabric between the buttonhole foot with slide and the feeding rail. (Fig. 3)
- > Set the buttonhole on the machine.
- > Lower the presser foot.
- > Lower the buttonhole lever. (Refer to the instruction manual of the machine)
- > Sew the buttonhole.