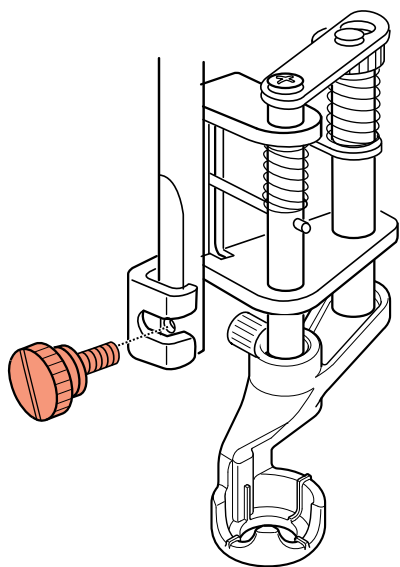


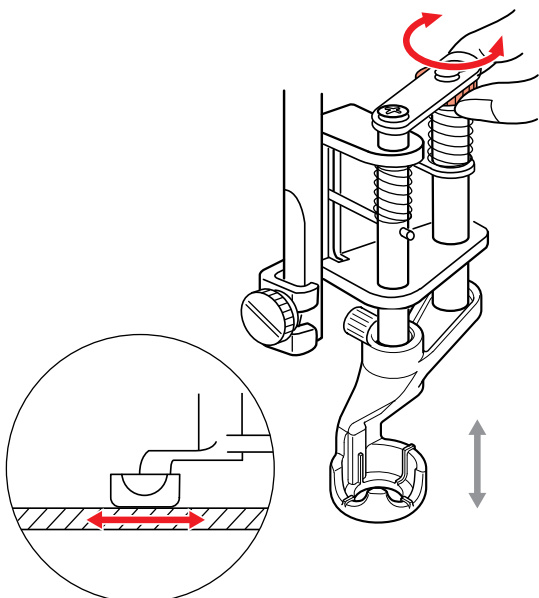
# Adjustable Ruler Foot Set



1



2



## Information

### Purpose

- For quilting with 1/4" rulers.
- For free-motion quilting.

### For your safety

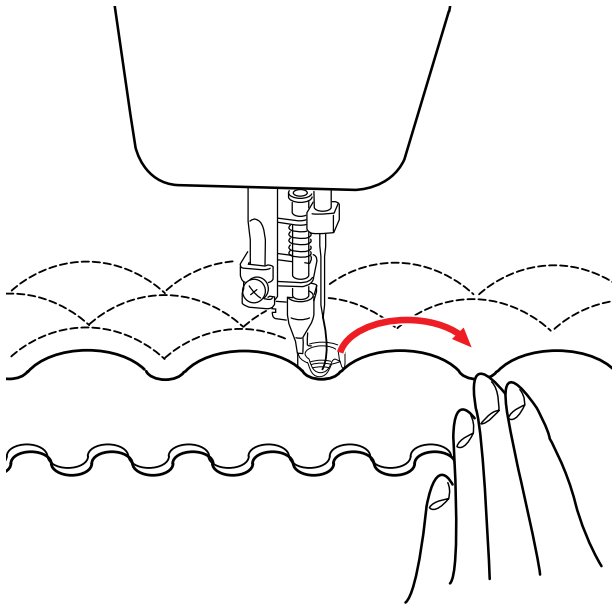
Before using this accessory, please read this instruction manual as well as the instruction manual of your machine carefully.

## Application

### Quilting

- > Lower the feed dog.
- > Attach the slide-on freearm extension table.
- > Raise the presser foot.
- > Attach the presser foot. Use the short presser foot holding screw supplied for this purpose. (Fig. 1)
- > Set the needle position to «Center».
- > Select the straight stitch.
- > If possible, set «Needle stop down».
- > Place the fabric beneath the presser foot.
- > Lower the presser foot.
- > Adjust the height of the presser foot. To do this, turn the adjusting wheel of the presser foot until the fabric can be moved back and forth under the presser foot sole without difficulty. (Fig. 2)
- > Thread the needle.

3



> Bring the bobbin thread up to the right side of the fabric. Hold the upper and lower threads together.

> Start quilting with ruler (Fig. 3) or free-motion quilting. Move the fabric with your hands according to the sewing speed in order to achieve an even stitch length.

#### Tip

- If skipped stitches occur, reduce the presser foot height or the sewing speed.
- For best results, move the quilt sandwich 3 mm or less per stitch.
- For an optimal sewing result, use the straight stitch plate.
- For a beautiful stitch formation, use upper and bobbin threads of the same color and thread quality.