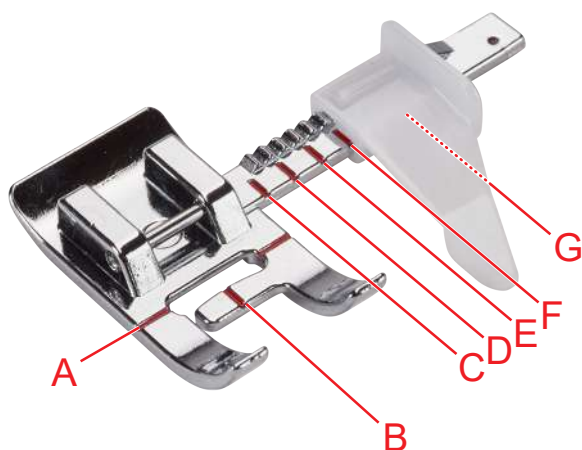


Zigzag Foot with Guide



1



Information

Purpose

- For sewing seams at an exact distance from a fabric edge or a seam that has already been sewn.

For your safety

Before using this accessory, please read the instruction manual at hand as well as the instruction manual of your machine carefully.

Markings

- A Needle position
- B Needle position «Center»
- C 3/8" (9.5 mm) distance to the needle
- D 1/2" (12.7 mm) distance to the needle
- F 3/4" (19 mm) distance to the needle
- G 1" (25.4 mm) distance to the needle

Application

Sewing edges

- > Attach the Presser Foot.
- > Set the desired stitch.
- > Set the needle position to «Center».
- > Adjust the guide on the presser foot to the desired edge width.
- > Place the fabric under the presser foot and align the edge of the fabric with the guide.
- > Lower the presser foot and sew, guiding the fabric along the guide.