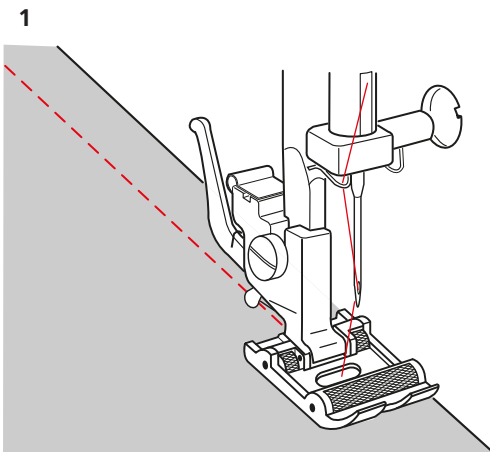


Roller Foot



Information

Purpose

- For sewing difficult and sticky materials, e.g. leather, suede, vinyl or coated fabrics.

For your safety

Before using this accessory, please read this instruction manual as well as the instruction manual of your machine carefully.

Application

Sewing leather

Also applies to other materials that tend to stick.

- > Attach the presser foot.
- > Set the desired practical or decorative stitch.
- > Adjust thread tension to suit the stitch and material.
- > Set the stitch length as long as possible.
- > Pass the thread by hand through the opening in the presser foot and lay it to the back under the presser foot.
- > Fix the leather parts on top of each other with adhesive tape, fabric clips (Wonder Clips) or textile glue (do not use pins).
- > Place the leather parts under the presser foot, lower the presser foot and sew. (Fig. 1)

Tip

- Long stitches result in a beautifully looking stitch formation.
- Long stitches prevent stiff material from tearing along the punctures after sewing.