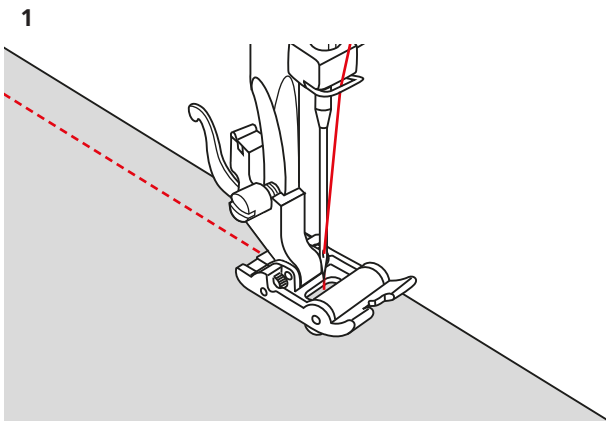


# Roller Foot



## Information

### Purpose

- For sewing difficult and sticky materials, e.g. leather, suede, vinyl or coated fabrics.

### For your safety

Before using this accessory, please read the instruction manual at hand as well as the instruction manual of your machine carefully.

## Application

### Sewing leather

Also applies to other materials that tend to stick.

- > Attach the Presser Foot.
- > Set the desired practical or decorative stitch.
- > Set the stitch length as long as possible.
- > Pass the thread by hand through the opening in the presser foot and lay it to the back under the presser foot.
- > Fix the leather parts on top of each other with adhesive tape, fabric clips (Wonder Clips) or textile glue (do not use pins).
- > Place the leather parts under the presser foot, lower the presser foot and sew. (Fig. 1)

### Tip

- Long stitches ensure a regular feed.
- Long stitches prevent stiff material from tearing along the punctures after sewing.