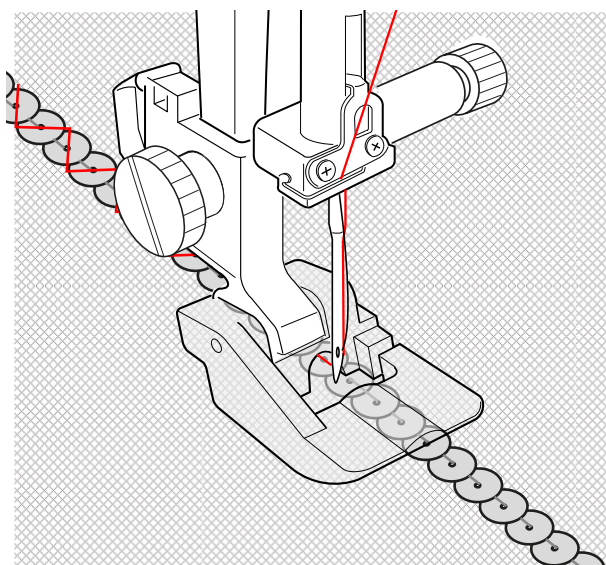


Beading and Sequin Foot Set



1



Information

Purpose

- To sew on bead and sequin strings.
- Beading and Sequin Foot with wide groove: Diameter of the bead and sequin strings 2.5 – 4.0 mm.
- Beading and Sequin Foot with narrow groove: Diameter of the bead and sequin strings smaller than 2.0 mm.

For your safety

Before using this accessory, please read this instruction manual as well as the instruction manual of your machine carefully.

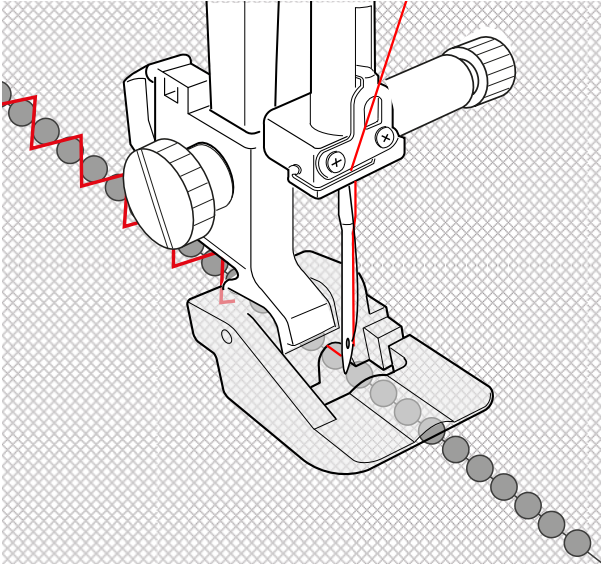
Application

Sewing on the string of sequins

Decorative or transparent threads are suitable as needle threads.

- > Fit the Beading/Sequins Foot.
- > Set a zigzag stitch.
- > Set the stitch length to 1.5 – 2 mm.
- > Set the optimal thread tension.
- > Adjust the stitch width to the size of the sequins.
- > Place the fabric under the presser foot with the sequin cord on top.
- > To sew the first 2 stitches, turn the handwheel.
- > Continue to sew slowly, guiding the sequin cord under the groove. (Fig. 1)

2



Sewing on and attaching a string of beads

- > Fit the Beading/Sequins Foot.
- > Set a zigzag stitch.
- > Set the optimal thread tension.
- > Set the stitch length to 1.5 mm.
- > Adjust the stitch width to the size of the beads.
- > To sew the string of beads onto the fabric, position the fabric under the presser foot so that the string of beads is guided between the fabric and the presser foot. (Fig. 2)
- > To sew the string of beads along the edge of the fabric, position the fabric on the left side of the groove and run the string of beads along the right side of the edge of the fabric. (Fig. 3)
- > To sew the first stitches, turn the handwheel. Continue to sew slowly, guiding the bead string and fabric so that the beads are under the groove in the presser foot.

3

