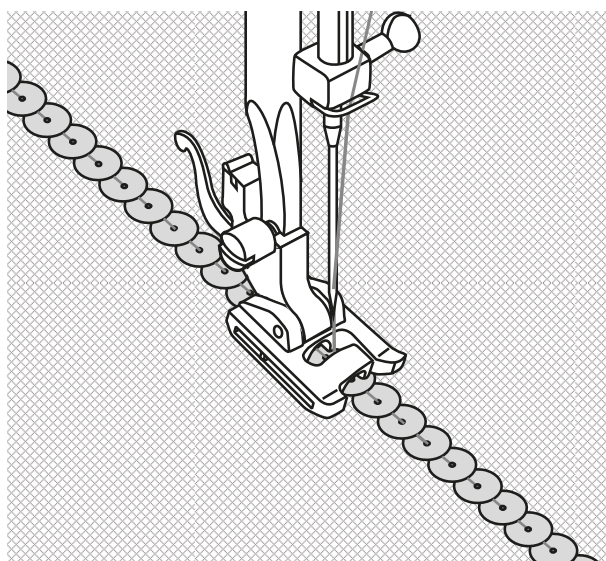


# Beading/Sequins Foot



1



## Information

### Purpose

- For sewing on bead and sequin strings with a max. diameter of 4 mm (beads) resp. 6 mm (sequins).

### For your safety

Before using this accessory, please read the instruction manual at hand as well as the instruction manual of your machine carefully.

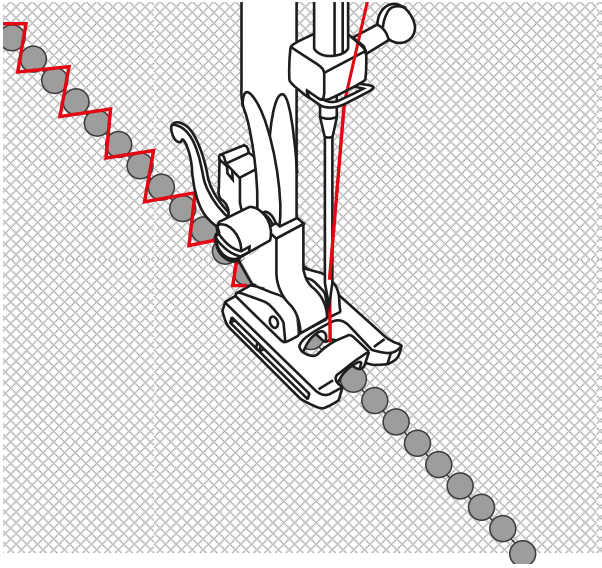
## Application

### Sewing on the string of sequins

Decorative or transparent threads are suitable as needle threads.

- > Fit the Beading/Sequins Foot.
- > Set a zigzag stitch.
- > Adjust the stitch width to the size of the sequins.
- > Pull the string of sequins into the groove under the presser foot.
- > Place the fabric beneath the presser foot.
- > To sew the first 2 stitches, turn the handwheel.
- > Continue to sew slowly, guiding the sequin cord under the groove. (Fig. 1)

2



## Sewing on and attaching a string of beads

- > Fit the Beading/Sequins Foot.
- > Set a zigzag stitch.
- > Adjust the stitch width to the size of the beads.
- > Pull the string of beads into the groove under the presser foot.
- > To sew the string of beads onto the fabric, position the fabric under the presser foot so that the string of beads is guided between the fabric and the presser foot. (Fig. 2)
- > To sew the string of beads along the edge of the fabric, position the fabric on the left side of the groove and run the string of beads along the right side of the edge of the fabric. (Fig. 3)
- > To sew the first stitches, turn the handwheel. Continue to sew slowly, guiding the string of beads as well as the fabric.

3

