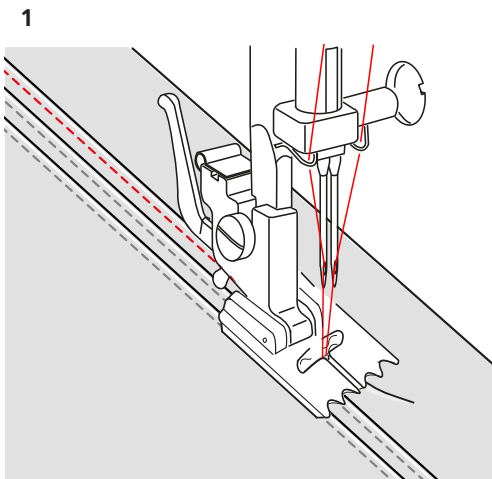


Pintuck Foot



Information

Scope of delivery

- For b33/b35: Pintuck Foot with 5 grooves, for twin needles at widths of 1.5 – 4.0 mm.
- For b37/b38: Pintuck Foot set, consisting of 1× Pintuck Foot with 5 grooves and 1× Pintuck Foot with 7 grooves, for twin needles at widths of 1.6 – 6.0 mm.

Purpose

- For sewing even pintucks with the twin needle.

For your safety

Before using this accessory, please read this instruction manual as well as the instruction manual of your machine carefully.

Application

Sewing Pintucks

- > Fit the twin needle.
- > Thread the needles according to the instructions.
- > Fit the Pintuck Foot.
- > Set the straight stitch with needle position to center.
- > Set the stitch length to 2 – 3 mm.
- > Set the optimal thread tension.
- > Thread-up command.
- > Sewing the first pintuck.

- > For the second pintuck, place the first pintuck at the desired distance under one of the side grooves of the pintuck foot. (Fig. 1)
 - The second pintuck is sewn at a narrow distance from the first pintuck.
- > Proceed in the same way with the other pintucks.

Tip

The Pintuck Foot is suitable for light or medium-weight fabrics.

If a piping yarn is sewn into the pintuck, the sewing result looks more elevated. When using the Pintuck Foot with 5 grooves, threads with a diameter of 1.5 – 2.5 mm can be taken along. When using the Pintuck Foot with 7 grooves, threads with a diameter of 1.5 mm can be taken along.

- > Slightly stretch the fabric while guiding it into the foot.
- > Mark the line for the first pintuck in a straight line with a thread or a textile pencil.
- > Adjust the upper thread tension according to the thickness of the fabric.