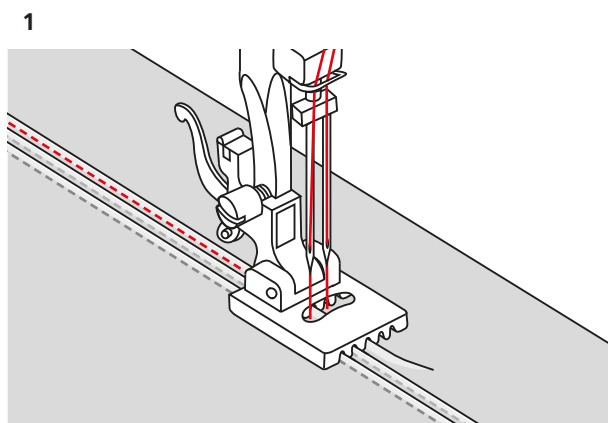


Pintuck Foot



Information

Purpose

- For sewing even pintucks with the twin needle.

For your safety

Before using this accessory, please read the instruction manual at hand as well as the instruction manual of your machine carefully.

Application

Sewing Pintucks

- > Insert the twin needle of the width 2.5 mm.
- > Thread both needles according to instructions.
- > Fit the Pintuck Foot.
- > Set a straight stitch.
- > Set the stitch length to 2,5 – 3.
- > Thread-up command.
- > Sewing the first pintuck.
- > For the second pintuck, place the first pintuck at the desired distance under one of the side grooves of the pintuck foot. (Fig. 1)
 - The second pintuck is sewn at a narrow distance from the first pintuck.
- > Proceed in the same way with the other pintucks.

Tip

- > Mark the line for the first pintuck in a straight line with a thread or a textile pencil.
- > Depending on the fabric thickness, adjust the upper thread tension.